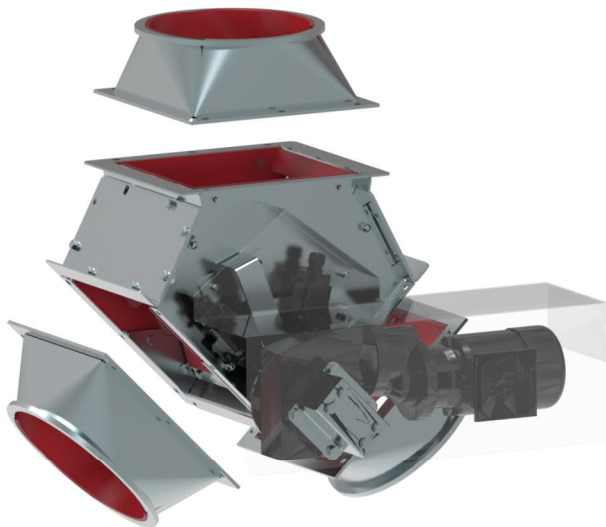


HINGED BOXES

- Direct scanning of the shaft
- Optional wear protection lining, replaceable
- Flap interchangeable
- Generous maintenance openings
- Modular construction system with selectable transitions
- Drive type selectable (electric, pneumatic, manual)
- Galvanized as series or also stainless steel



HIGH FLEXIBILITY THANKS TO MODULAR SYSTEM

The standardized modular system offers extensive flexibility. The design can also be changed at a later date by replacing modules. Depending on the the entire flap box, including the flap, can be including the flap can be fitted with a wear lining.

Irrespective of this, the flap is replaceable, so that in the event of severe wear it is not necessary: to replace the entire flap box - a real added value.

SPECIFICATIONS

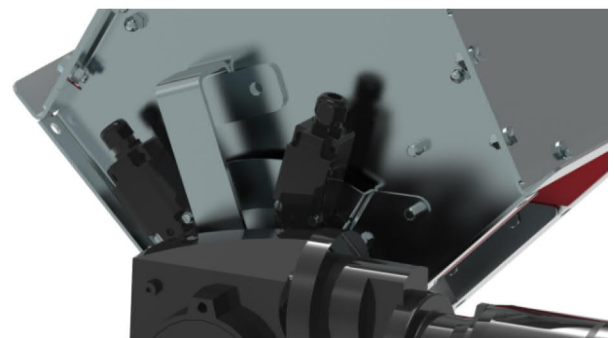
You can choose from three different drive concepts manual, pneumatic and electric.

When equipped with a linear motor, the hinged box can be converted into a precisely adjustable flow divider.

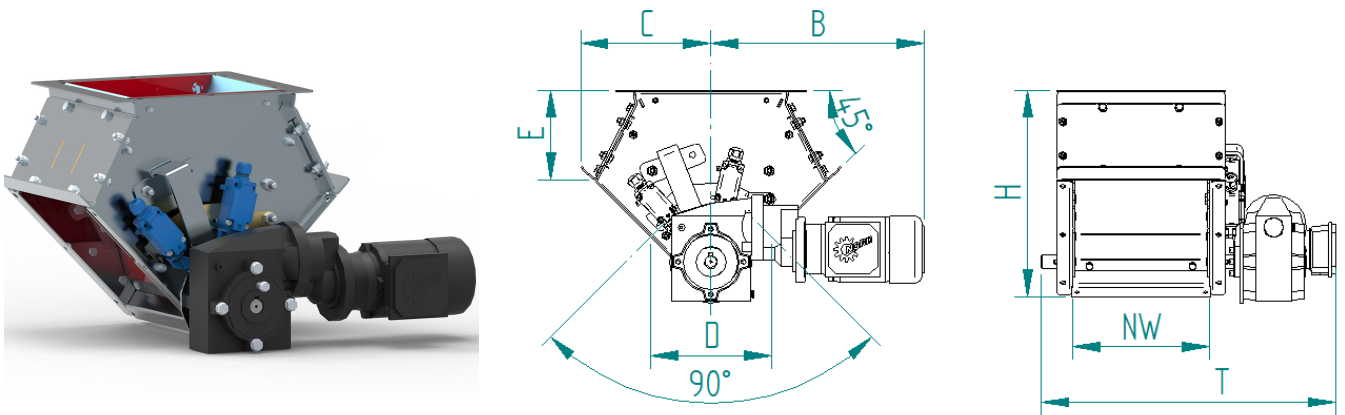
The geometry of the flap box is optimized so as not to adversely affect the slope of a pipeline.

There is no loss of slope even when hinged boxes are lined up next to each other. This ensures maximum flexibility in pipe construction.

Direct scanning of the shaft:

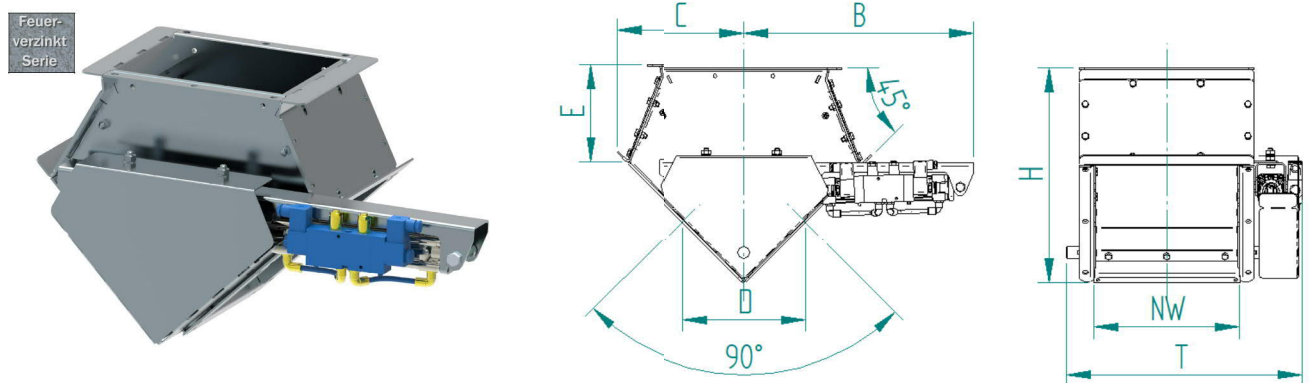


ELECTRICALLY HINGED BOXES



| NW | B | C | D | E | H | T | Part number (flap scanning) | Part number (shaft scanning) |
|-----|-----|-----|-----|-----|-----|-----|-----------------------------|------------------------------|
| 200 | 390 | 197 | 177 | 139 | 312 | 490 | KLR2-20000--EL31 | KLR2-20000--EL41 |
| 250 | 390 | 239 | 222 | 165 | 378 | 540 | KLR2-25000--EL31 | KLR2-25000--EL41 |
| 300 | 390 | 264 | 255 | 201 | 443 | 590 | KLR2-30000--EL31 | KLR2-30000--EL41 |
| 350 | 390 | 306 | 290 | 219 | 504 | 643 | KLR2-35000--EL31 | KLR2-35000--EL41 |

PNEUMATICALLY HINGED BOXES



| NW | B | C | D | E | H | T | Part number (flap scanning) | Part number (shaft scanning) |
|-----|-----|-----|-----|-----|-----|-----|-----------------------------|------------------------------|
| 200 | 474 | 197 | 177 | 139 | 312 | 386 | KLR2-20000--EL31 | KLR2-20000--EL41 |
| 250 | 474 | 239 | 222 | 165 | 378 | 436 | KLR2-25000--EL31 | KLR2-25000--EL41 |
| 300 | 474 | 264 | 255 | 201 | 443 | 487 | KLR2-30000--EL31 | KLR2-30000--EL41 |
| 350 | 474 | 306 | 290 | 219 | 504 | 537 | KLR2-35000--EL31 | KLR2-35000--EL41 |



LEARN MORE.

ZUTHER GMBH

Anlagenbau & Fördertechnik
An der Bundesstraße 8-9
D-29481 Karwitz

Fon +49(0) 5861 961-0
Fax +49(0) 5861 961-40
Mail info@zuther-online.de

Geschäftsführer: Andreas Zuther
Amtsgericht Lüneburg
HRB 120208

Alle Angaben ohne Gewähr.
Irrtümer und Druckfehler vorbehalten.
Stand 12/2021