

SCREW CONVEYORS / AUGERS FROM ZUTHER

Experience from 100 years - Your specialist for conveyor technology

Our screw conveyors prove themselves worldwide under the most severe operating conditions. On the basis of many years of experience and cross-industry experience, we offer our customers a high level of quality and reliability.

The screw conveyors are suitable for many different applications. Whether they are used as connecting, discharging, dosing, tamping or dewatering screws, our technology ensures reliable operation. Particularly noteworthy here is the highly effective sealing of the screw tube by the Zuther labyrinth seal. It prevents the material being conveyed from escaping at the shaft of the screw shaft, which could otherwise lead to contamination and damage to the bearings.

AUGER (PIPE)

- Conveying capacity: 1.8 t/h to 250 t/h*.
- Suitable for grain*, sand, asphalt filler, granules and more.
- Zuther labyrinth seal and pressure bearing, dust-tight
- Proven, high-performance system



ZUTHER GMBH

Anlagenbau & Fördertechnik
An der Bundesstraße 8-9
D-29481 Karwitz

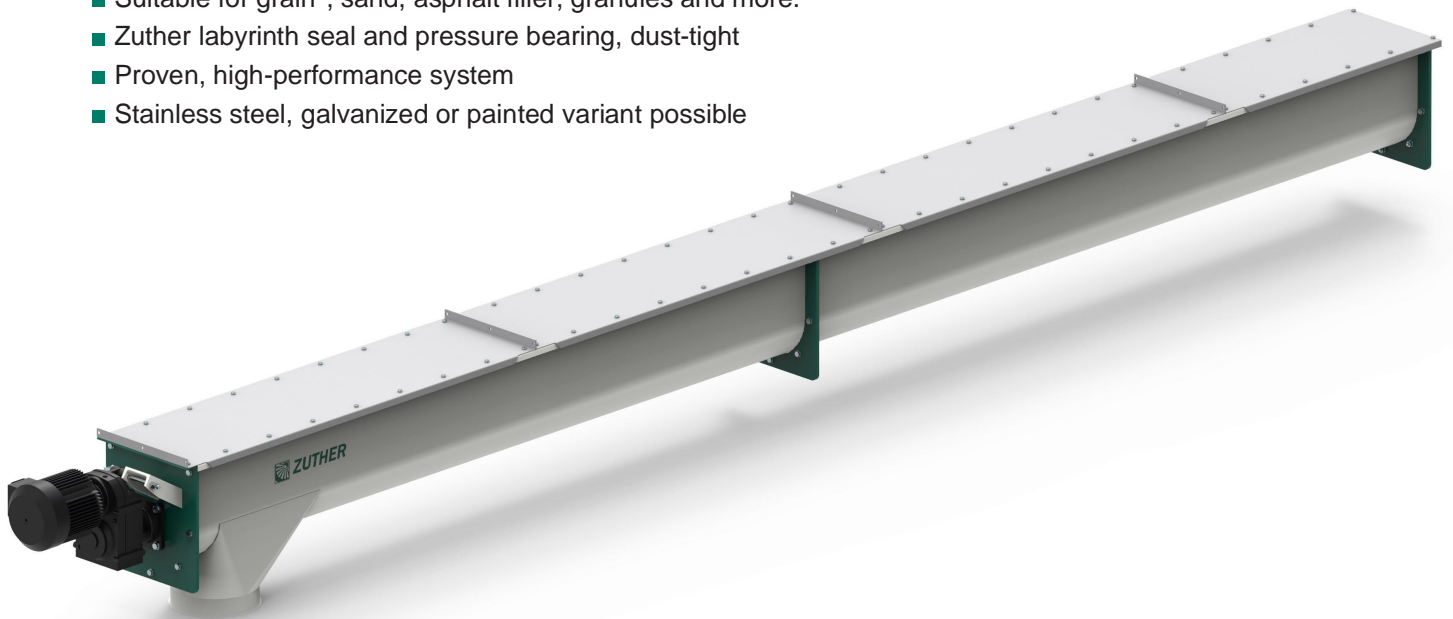
Fon +49(0) 5861 961-0
Fax +49(0) 5861 961-40
Mail info@zuther-online.de

Geschäftsführer: Andreas Zuther
Amtsgericht Lüneburg
HRB 120208

Alle Angaben ohne Gewähr.
Irrtümer und Druckfehler vorbehalten.
Stand 12/2012

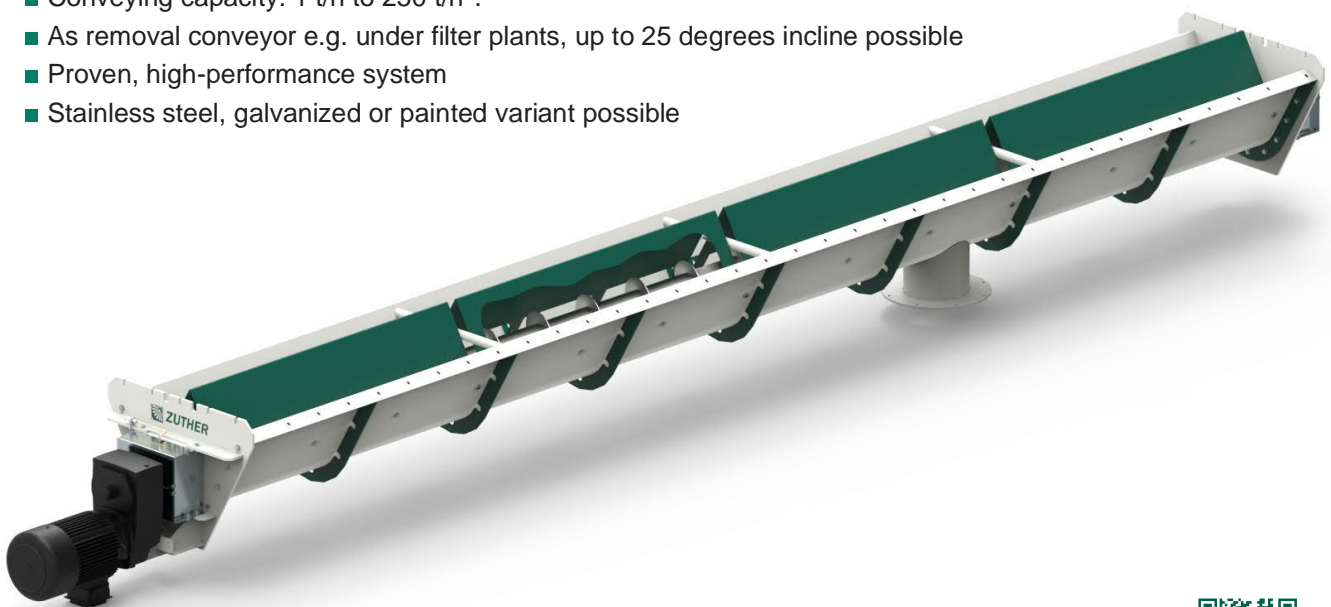
AUGER (TROUGH)

- Conveying capacity: 1 t/h to 250 t/h*.
- Suitable for grain*, sand, asphalt filler, granules and more.
- Zuther labyrinth seal and pressure bearing, dust-tight
- Proven, high-performance system
- Stainless steel, galvanized or painted variant possible



AUGER (EXTRACTION)

- Conveying capacity: 1 t/h to 250 t/h*.
- As removal conveyor e.g. under filter plants, up to 25 degrees incline possible
- Proven, high-performance system
- Stainless steel, galvanized or painted variant possible



LEARN MORE.

ZUTHER GMBH

Anlagenbau & Fördertechnik
An der Bundesstraße 8-9
D-29481 Karwitz

Fon +49(0) 5861 961-0
Fax +49(0) 5861 961-40
Mail info@zuther-online.de

Geschäftsführer: Andreas Zuther
Amtsgericht Lüneburg
HRB 120208

Alle Angaben ohne Gewähr.
Irrtümer und Druckfehler vorbehalten.
Stand 12/2012