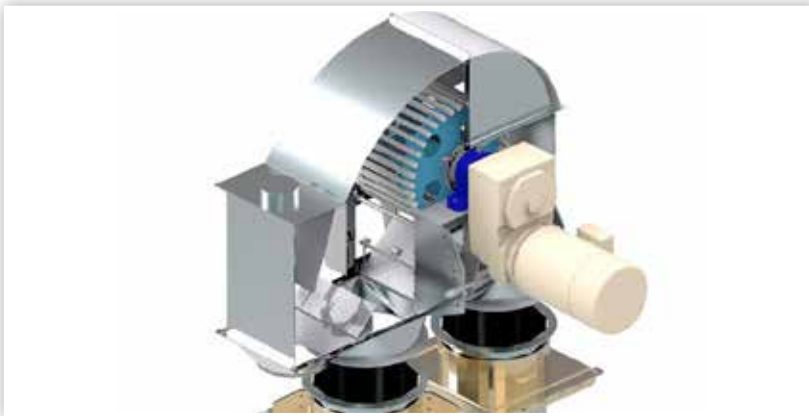


# BUCKET ELEVATOR

## TYP E00-E10

- modular system
- performance up to 800 t/h
- extremely reliable due to sophisticated technical conception
- High-performance bucket systems - Elevator belt resistant to oil and grease
- Material: galvanized steel, stainless steel (1.4301/1.4401)



Technical Data/Type	E00	E03	E05	E07	E08	E09	E10*
performance in t/h, 0,75 t/m	5 - 20	20 - 50	50 - 100	100 - 200	200 - 300	300 - 400	400 - 500
Elevator foot height	780	1100	1258	1395	1501	1600	2000
Elevator foot width	500	750	985	1135	1310	1430	1600
Elevator head height	503	781	1026	1162	1413	1470	1805
Elevator head width	760	1157	1485	1635	1860	2000	2345
wide round shaft $\varnothing$	-	280	396	448	563	826	999
Centre distance shaft-shaft	-	530	705	805	920	980	1080
Sheet thickness shaft	2,0	2,0	2,0	2,0	2,0	2,0/3,0	2,0/3,0
Sheet thickness head	3,0	3,0	4,0	4,0	5,0	5,0	6,0
Sheet thickness foot	3,0	4,0	4,0	5,0	5,0	5,0	6,0

\*All dimensions in mm \* performance up to 800 t/h possible

### ZUTHER GMBH

Anlagenbau & Fördertechnik  
An der Bundesstraße 8-9  
D-29481 Karwitz

Fon +49(0) 5861 961-0  
Fax +49(0) 5861 961-40  
Mail info@zuther-online.de

Geschäftsführer: Andreas Zuther  
Amtsgericht Lüneburg  
HRB 120208

Alle Angaben ohne Gewähr.  
Irrtümer und Druckfehler vorbehalten.  
**Stand 10/2019**

## DESIGN TYPE

All elevators are equipped with high-quality drive compo-

Together with a solid sheet steel construction, they guarantee a high mileage and thus your investment.

Our bucket elevators prove themselves daily, under the most difficult conditions, worldwide. Easy maintenance due to extensive maintenance flaps in the head, foot and elevator shaft.

## IMPLEMENTATION ALSO IN ATEX DIRECTIVE

On request, we can equip the bucket elevators with skew-monitoring, electronic speed monitoring, full motor winding protection and full detectors. Pressure relief flaps at the head and at the shaft are available as options, as well as Q-pipe and point filters for the elevator shaft.

## WE ADVISE YOU GLADLY

You describe your funding problem to us, we submit a detailed and technically mature offer.



### ZUTHER GMBH

Anlagenbau & Fördertechnik  
An der Bundesstraße 8-9  
D-29481 Karwitz

Fon +49(0) 5861 961-0  
Fax +49(0) 5861 961-40  
Mail [info@zuther-online.de](mailto:info@zuther-online.de)

Geschäftsführer: Andreas Zuther  
Amtsgericht Lüneburg  
HRB 120208

Alle Angaben ohne Gewähr.  
Irrtümer und Druckfehler vorbehalten.  
**Stand 10/2019**